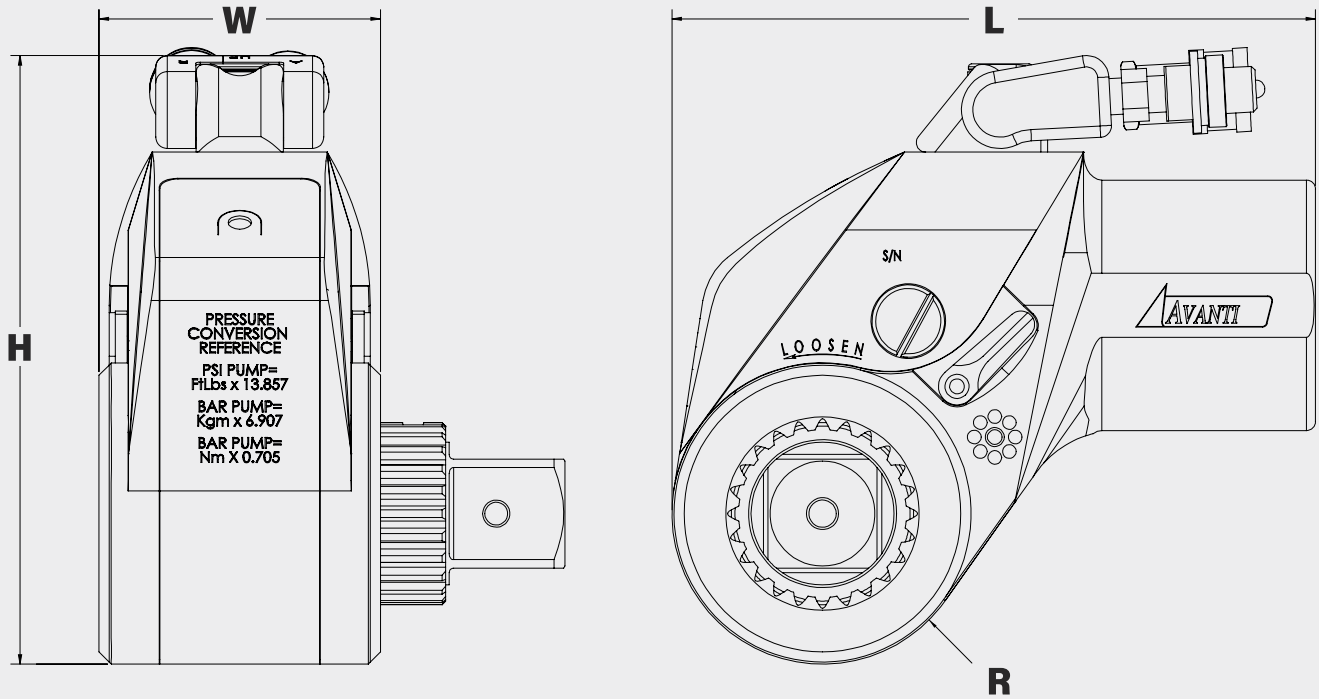


FULL SPECIFICATIONS



LEGEND: H = HEIGHT W = WIDTH L = LENGTH R = RADIUS

MODEL NUMBER	H	W	L	R	SQUARE DRIVE	WEIGHT	TORQUE	
IMPERIAL	in.					lbs.	ft-lbs (Min)	ft-lbs (Max)
AVANTI - .7	4.19	1.79	4.14	0.99	3/4	3.10	115	767
AVANTI - 8	7.90	3.86	8.24	1.94	1-1/2	20.75	1,150	7,760
AVANTI - 20	10.22	5.07	10.94	2.60	2-1/2	47.70	2,760	17,890
AVANTI - 35	12.22	6.23	13.45	3.19	2-1/2	82.75	4,905	31,830
AVANTI - 50	13.90	7.04	15.54	3.95	2-1/2	127.70	7,202	46,126
AVANTI - 80	16.84	7.49	19.52	4.69	3-1/2	280.50	11,965	85,695
AVANTI - 130	19.40	8.50	22.73	5.31	3-1/2	585.00	19,395	138,510
METRIC	mm				in.	kg	Nm (Min)	Nm (Max)
AVANTI - .7	106	45	105	25	3/4	1.41	156	1039
AVANTI - 8	201	98	209	49	1-1/2	9.43	1558	10515
AVANTI - 20	260	129	278	66	2-1/2	21.68	3740	24241
AVANTI - 35	310	158	342	81	2-1/2	37.61	6646	43130
AVANTI - 50	353	179	395	100	2-1/2	58.05	9759	62501
AVANTI - 80	428	190	496	119	3-1/2	127.50	16213	116118
AVANTI - 130	493	216	577	135	3-1/2	265.91	26280	187683

HYTORC owns all content, copyrights, trademarks and patents in this document. © 2023 HYTORC. Any unauthorized use or distribution of any material from this document is strictly prohibited.

HYTORC

Headquarters:
 333 Route 17 N., Mahwah, NJ 07430
 +1-201-512-9500

Contact:
 1-800-FOR-HYTORC
 info@hytorc.com

Online:
 hytorc.com