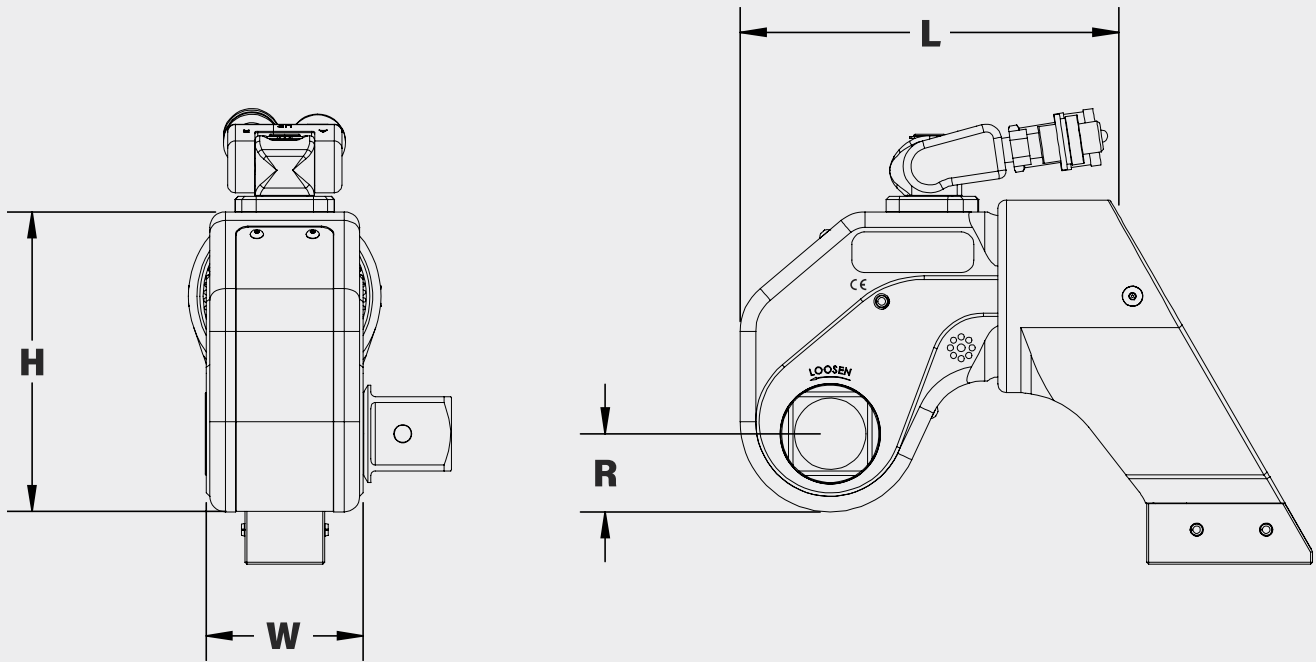


FULL SPECIFICATIONS



LEGEND: H = HEIGHT W = WIDTH L = LENGTH R = RADIUS

MODEL NUMBER	H	W	L	R	SQUARE DRIVE	WEIGHT	TORQUE	
IMPERIAL	in.					lbs.	ft-lbs (Min)	ft-lbs (Max)
EDGE-1S	3.55	1.97	4.94	0.99	3/4	4.05	178	1,257
EDGE-3S	4.71	2.63	6.40	1.31	1	8.50	443	3,097
EDGE-6S	6.04	3.16	7.61	1.57	1-1/2	19.20	893	6,241
EDGE-9S	6.58	3.57	8.59	1.86	1-1/2	20.05	1,230	8,555
EDGE-11S	7.08	3.95	9.61	1.97	1-1/2	25.00	1,615	11,291
METRIC	mm				in.	kg	Nm (Min)	Nm (Max)
EDGE-1S	90	50	125	25	3/4	1.84	241	1704
EDGE-3S	120	67	163	33	1	3.86	601	4174
EDGE-6S	153	81	193	40	1-1/2	8.73	1210	8461
EDGE-9S	167	91	221	47	1-1/2	9.11	1667	11597
EDGE-11S	180	100	244	50	1-1/2	11.36	2189	15304

HYTORC owns all content, copyrights, trademarks and patents in this document. © 2025 HYTORC. Any unauthorized use or distribution of any material from this document is strictly prohibited.

HYTORC

Headquarters:
333 Route 17 N., Mahwah, NJ 07430
+1-201-512-9500

Contact:
1-800-FOR-HYTORC
info@hytorc.com

Online:
hytorc.com