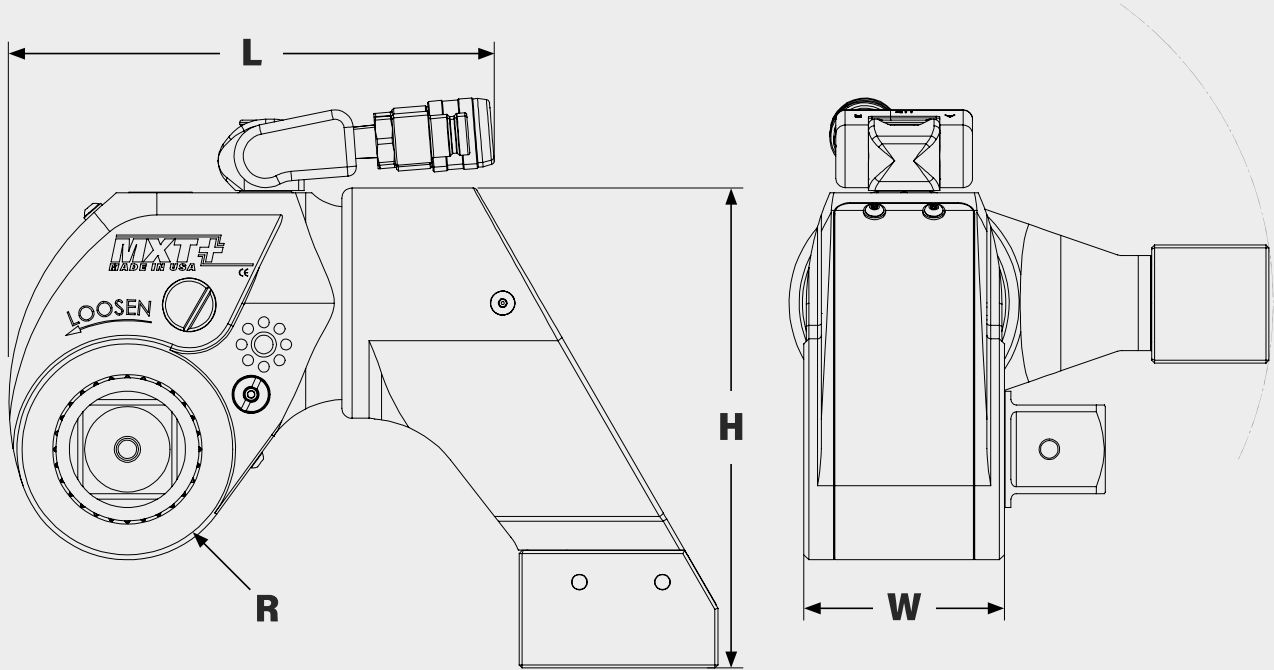


FULL SPECIFICATIONS



LEGEND: H = HEIGHT W = WIDTH L = LENGTH R = RADIUS

MODEL NUMBER	H	W	L	R	SQUARE DRIVE	WEIGHT	TORQUE	
IMPERIAL	in.					lbs.	ft-lbs (Min)	ft-lbs (Max)
MXTP - 01	6.38	2.18	5.17	1.16	3/4	6.80	205	1,359
MXTP - 03	6.90	2.90	6.66	1.50	1	7.59	464	3,117
MXTP - 05	9.24	3.38	8.04	1.86	1-1/2	18.50	835	5,590
MXTP - 10	11.69	4.35	10.05	2.38	1-1/2	25.00	1,831	12,148
METRIC	mm				in.	kg	Nm (Min)	Nm (Max)
MXTP - 01	162	55	131	30	3/4	3,08	278	1843
MXTP - 03	175	74	169	38	1	3,44	629	4226
MXTP - 05	235	86	204	47	1-1/2	8,39	1131	7575
MXTP - 10	297	110	255	60	1-1/2	11,33	2482	16468

COMPLETE KIT CONTENTS

- MXTP+ Hydraulic Wrench
- Rear Reaction Arm
- Coaxial Reaction Arm
- Spline Cover
- Storage Case
- Side Handle
- Calibration Certificate
- Operation Manual

HYTORC owns all content, copyrights, trademarks and patents in this document, © 2023 HYTORC. Any unauthorized use or distribution of any material from this document is strictly prohibited.

HYTORC

Headquarters:
333 Route 17 N., Mahwah, NJ 07430
+1-201-512-9500

Contact:
1-800-FOR-HYTORC
info@hytorc.com

Online:
hytorc.com