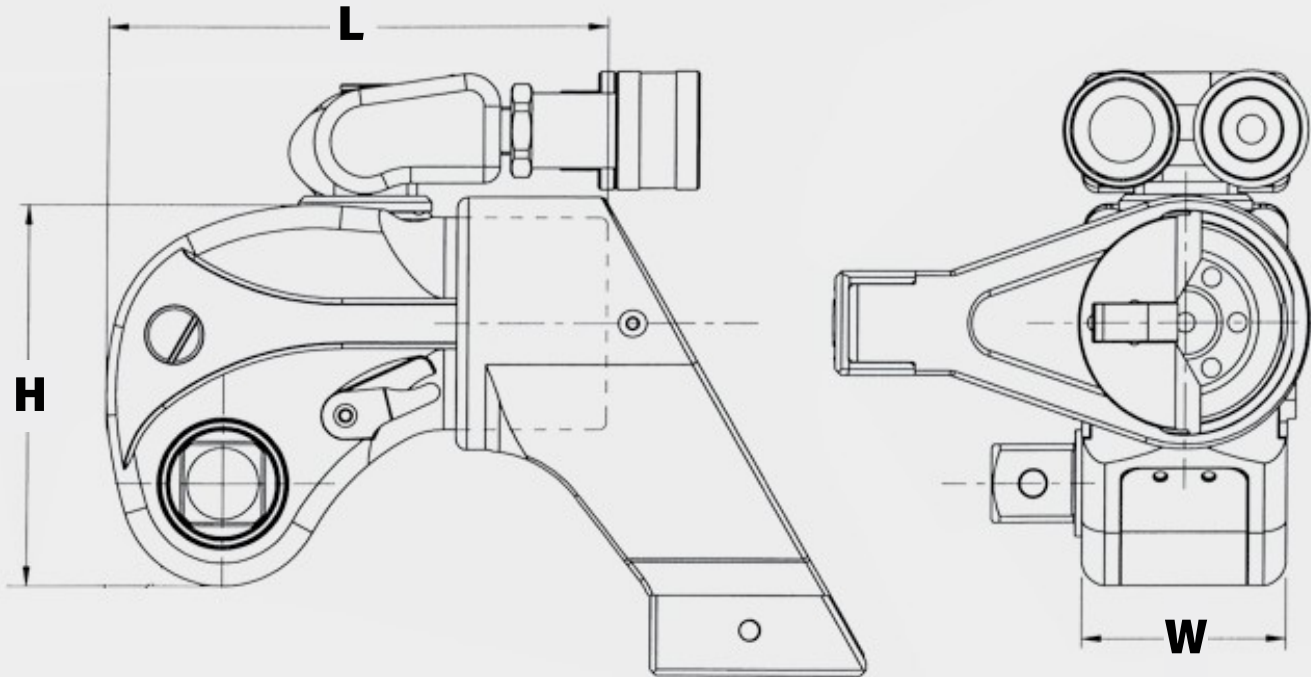


FULL SPECIFICATIONS



LEGEND: H = HEIGHT W = WIDTH L = LENGTH

MODEL NUMBER	H	W	L	DRIVE	WEIGHT	TORQUE	
IMPERIAL	in.				lbs.	ft-lbs (Min)	ft-lbs (Max)
MXT -.7	4.25	1.62	3.96	0.75	2.70	118	822
MXT -1	4.90	1.97	4.88	0.75	3.95	200	1,340
MXT -3	6.12	2.63	6.34	1.00	8.30	480	3,230
MXT -5	7.22	3.16	7.61	1.50	14.20	835	5,590
MXT -10	8.80	3.95	9.51	1.50	24.80	1,755	11,520
MXT -15	9.67	4.38	10.55	2.50	36.00	2,268	15,399
MXT -20	10.24	4.73	11.41	2.50	43.40	2,960	19,760
MXT -35	12.42	5.82	14.03	2.50	77.45	5,400	37,100
METRIC	mm			in.	kg	Nm (Min)	Nm (Max)
MXT -.7	108	41	101	19	1.22	160	1,114
MXT -1	124	50	124	19	1.80	271	1,817
MXT -3	155	67	161	25	3.80	651	4,379
MXT -5	183	80	193	38	6.44	1,132	7,578
MXT -10	224	100	242	38	11.24	2,379	15,617
MXT -15	246	111	268	64	16.32	3,075	20,874
MXT -20	260	120	290	64	19.70	4,013	26,787
MXT -35	315	148	356	64	35.13	7,320	50,293

HYTORC owns all content, copyrights, trademarks and patents in this document. © 2025 HYTORC. Any unauthorized use or distribution of any material from this document is strictly prohibited.

HYTORC

Headquarters:
333 Route 17 N., Mahwah, NJ 07430
+1-201-512-9500

Contact:
1-800-FOR-HYTORC
info@hytorc.com

Online:
hytorc.com