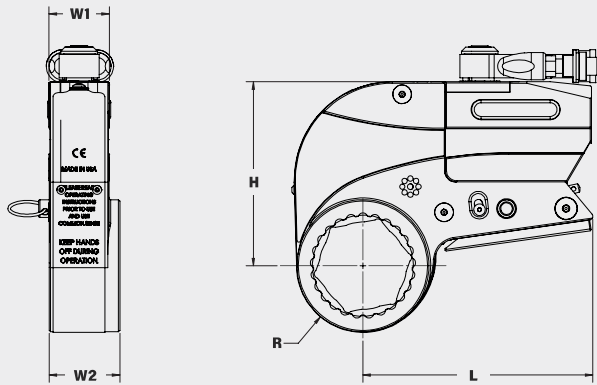
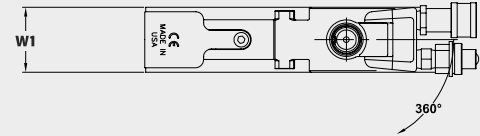


FULL SPECIFICATIONS

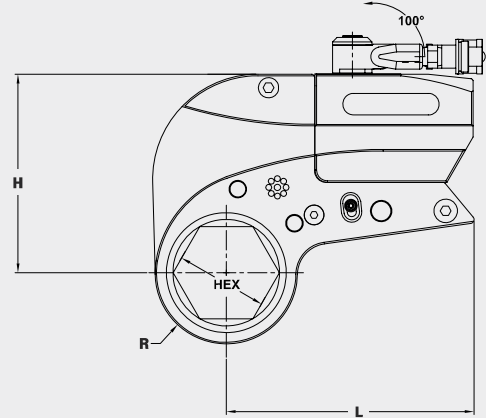
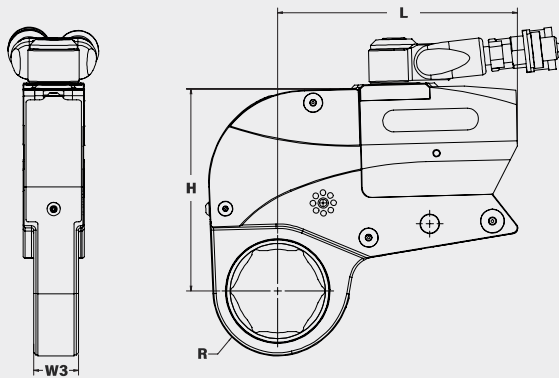
WASHER LINK



STANDARD LINK



SLIM LINK



LEGEND: H = HEIGHT W1 = STANDARD WIDTH W2 = ONE-SIDED WASHER PLATE WIDTH W3 = SLIM WIDTH L = LENGTH R = RADIUS

MODEL NUMBERS	H	W1	W2	W3	L	R		POWERHEAD WEIGHT	TORQUE	
IMPERIAL	in.					in. (Min)	in. (Max)	lbs.	ft.-lbs. (Min)	ft.-lbs. (Max)
STEALTH -2	4.21	1.25	1.51	-	5.53	1.03	1.76	3.99	278	1,869
STEALTH -4	5.43	1.67	1.93	1.22	6.56	1.32	2.32	4.30	604	4,020
STEALTH -8	6.40	2.10	2.48	1.45	8.00	1.77	2.89	6.70	1,199	7,984
STEALTH -14	7.94	2.50	2.96	-	9.35	2.33	3.47	10.40	2,105	14,255
STEALTH -22	9.18	2.91	-	-	10.79	2.62	3.87	15.40	3,250	21,875
STEALTH -36	10.81	3.41	-	-	12.71	3.07	4.80	24.10	4,917	34,722
METRIC	mm					mm (Min)	mm (Max)	kg	Nm (Min)	Nm (Max)
STEALTH -2	107	32	39	-	141	26	45	1.81	377	2534
STEALTH -4	138	42	49	31	167	34	59	2.00	819	5450
STEALTH -8	163	53	63	37	203	45	73	3.03	1625	10823
STEALTH -14	202	64	75	-	237	59	88	4.71	2854	19324
STEALTH -22	233	74	-	-	274	67	98	7.00	4406	29654
STEALTH -36	275	87	-	-	323	78	122	10.93	6665	47069

HYTORC owns all content, copyrights, trademarks and patents in this document, © 2024 HYTORC. Any unauthorized use or distribution of any material from this document is strictly prohibited.



Headquarters:
333 Route 17 N., Mahwah, NJ 07430
+1-201-512-9500

Contact:
1-800-FOR-HYTORC
info@hytorc.com

Online:
hytorc.com