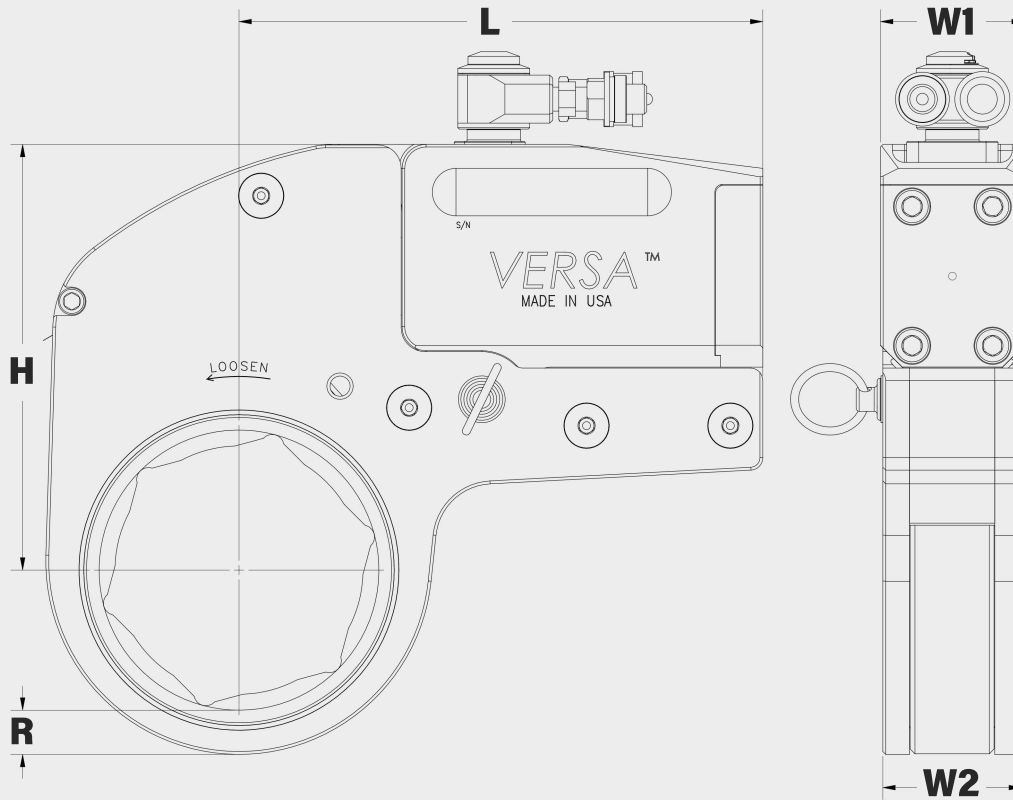


FULL SPECIFICATIONS



LEGEND: H = HEIGHT W1 = WIDTH OF POWERHEAD W2 = WIDTH OF LINK L = LENGTH R = DISTANCE FROM HEX CORNER

MODEL NUMBER	H	W1	W2	L	R	WEIGHT	TORQUE	
IMPERIAL	in.					lbs.	ft-lbs (Min)	ft-lbs (Max)
VERSA - 1	3.42	1.06	0.94	4.23	0.32	2.80	150	1,050
VERSA - 2	3.73	1.25	1.13	5.35	0.38	3.25	261	1,920
VERSA - 4	5.52	1.67	1.51	7.07	0.51	7.35	654	4,503
VERSA - 8	6.53	2.10	1.89	8.60	0.64	11.85	1,350	9,000
VERSA - 14	8.03	2.50	2.36	10.52	0.73	19.25	2,148	14,832
VERSA - 20	8.87	3.00	2.89	10.93	0.92	24.43	3,088	21,458
VERSA - 30	10.95	3.75	3.00	13.89	1.00	46.71	5,100	36,200
METRIC	mm					kg	Nm (Min)	Nm (Max)
VERSA - 1	87	27	24	107	8	1.27	203	1423
VERSA - 2	95	32	29	136	10	1.48	354	2602
VERSA - 4	140	42	38	180	13	3.34	886	6102
VERSA - 8	166	53	48	218	16	5.39	1829	12195
VERSA - 14	204	64	60	267	19	8.75	2911	20098
VERSA - 20	225	76	73	278	23	11.10	4184	29076
VERSA - 30	278	95	76	353	25	21.23	6911	49051

HYTORC owns all content, copyrights, trademarks and patents in this document. © 2023 HYTORC. Any unauthorized use or distribution of any material from this document is strictly prohibited.



Headquarters:
333 Route 17 N., Mahwah, NJ 07430
+1-201-512-9500

Contact:
1-800-FOR-HYTORC
info@hytorc.com

Online:
hytorc.com