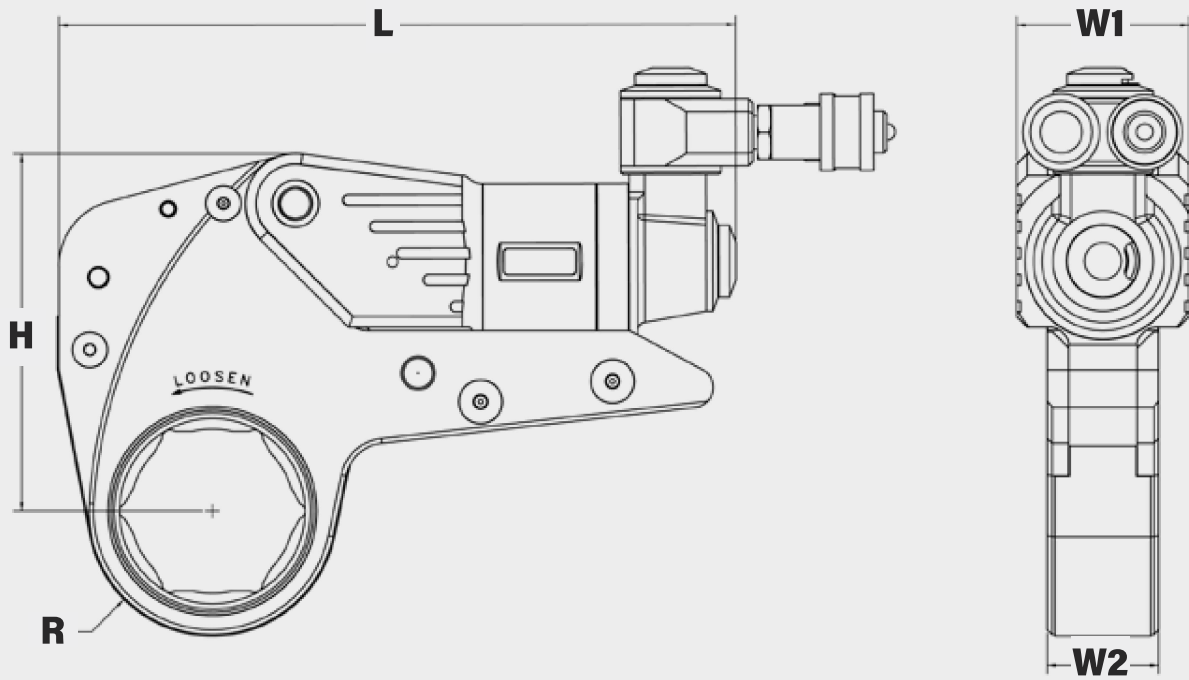


FULL SPECIFICATIONS



LEGEND: H = HEIGHT W1 = WIDTH OF POWERHEAD W2 = WIDTH OF LINK L = LENGTH R = RADIUS

MODEL NUMBER	H	W1	W2	L	R		WEIGHT	TORQUE	
IMPERIAL	in.				in. (Min)	in. (Max)	lbs.	ft-lbs (Min)	ft-lbs (Max)
XLCT - 2	4.02	1.94	1.25	7.33	1.03	1.76	2.05	243	1,687
XLCT - 4	5.36	2.58	1.67	10.19	1.33	2.32	4.25	580	3,855
XLCT - 8	6.70	3.23	2.09	12.29	1.77	2.89	7.15	1,143	8,151
XLCT - 14	8.04	3.88	2.50	14.61	2.32	3.47	11.30	2,010	13,400
XLCT - 18	9.08	4.38	2.83	14.34	2.62	3.87	14.85	2,790	19,100
XLCT - 30	10.71	5.17	3.35	16.82	3.07	4.80	23.80	4,579	30,986
XLCT - 45	13.39	6.00	3.94	21.10	4.05	4.88	43.00	7,130	49,180
XLCT - 60	13.39	6.46	4.16	20.70	4.81	5.03	48.00	8,867	59,110
METRIC	mm				mm (Max)	mm (Max)	kg	Nm (Min)	Nm (Max)
XLCT - 2	102	49	32	186	26	44.70	0.93	329	2286
XLCT - 4	136	66	42	259	34	58.93	1.93	786	5224
XLCT - 8	170	82	53	312	45	73.41	3.25	1549	11045
XLCT - 14	204	99	64	371	59	88.14	5.14	2724	18157
XLCT - 18	231	111	72	364	67	98.30	6.75	3780	25881
XLCT - 30	272	131	85	427	78	121.92	10.82	6205	41986
XLCT - 45	340	152	100	536	103	124.00	19.50	9667	66679
XLCT - 60	340	164	106	526	122	128.00	21.80	12022	80143

HYTORC owns all content, copyrights, trademarks and patents in this document. © 2023 HYTORC. Any unauthorized use or distribution of any material from this document is strictly prohibited.



Headquarters:
333 Route 17 N., Mahwah, NJ 07430
+1-201-512-9500

Contact:
1-800-FOR-HYTORC
info@hytorc.com

Online:
hytorc.com