

# DOUBLE-ACTING CYLINDERS



## MODEL:NDAH-SERIES

Capacity: 30 - 100 Tons

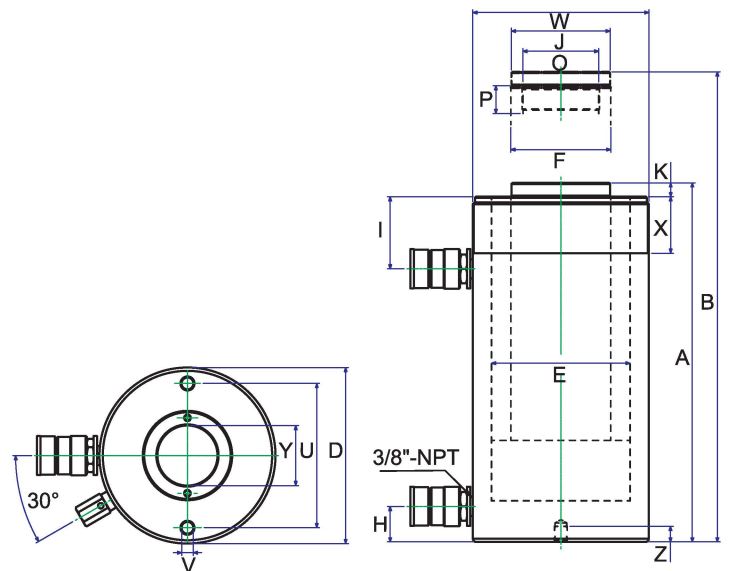
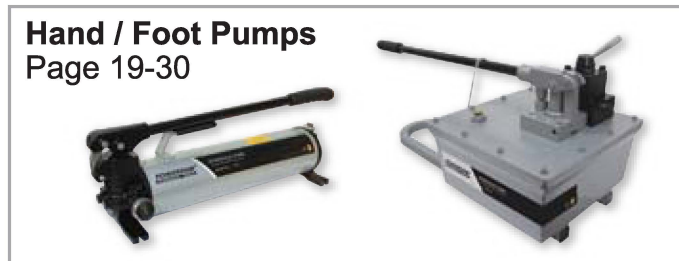
Stroke: 76 - 257 mm

Max. working pressure: 700 bar / 10,000 psi

Double-Acting, Hollow Plunger

### FEATURES

- Perfect for construction, shipyard, utility, mining and equipment maintenance shops.
- Piston hard chromed.
- Cylinders inside roll-polished.
- Cylinders outside blasted with black nitriding finish.



### SPECIFICATIONS

Model No.	Capacity (ton)		Stroke (mm)	Cylinder Effective Area (cm <sup>2</sup> )	Oil Cap. (cm <sup>3</sup> )		A B		D	E	F	H	I	J	K	O	P	U	V	Z	W	X	Y	Weight (kgs)
	Push	Pull			Push	Pull	Retracted	Extended																
NDAH307	30	21	178	47.8	849	541	330	508	117	90	65	21.5	60.5	60	0.5	17/8"-16	25	92	3/8"-16	14	4 1/2"-12	42	34	22
NDAH3010			257	47.8	1226	782	431	688																10
NDAH603	60	41	89	89.6	797	526	247.5	336.5	158.6	125	90	32	65	89	12.5	2 3/4"-16	25	130	1/2"-13	14	6 1/4"-12	50	54	28
NDAH606			165	89.6	1477	975	323.5	488.5																35
NDAH6010			257	89.6	2300	1518	437.5	694.5																45
NDAH1003	100	64	76	143	1086	692	254	330	213	165	125	38	82	125	12	4"-16	30	178	5/8"-11	19	8 3/8"-12	60	79	52
NDAH1006			152	143	2172	1384	325	477																65
NDAH10010			256	143	3656	2331	462	718																88