

# CYLINDERS



## MODEL: NSLS-TELESCOPIC SERIES

Capacity: 10 ~ 35 Ton

Stroke: 13 - 135 mm

Max. Working Pressure: 700 bar / 10,000 psi



NSLS20-10



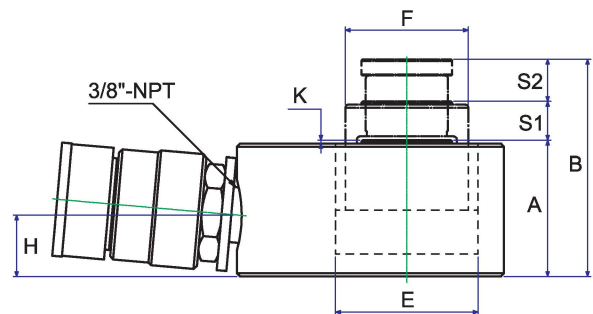
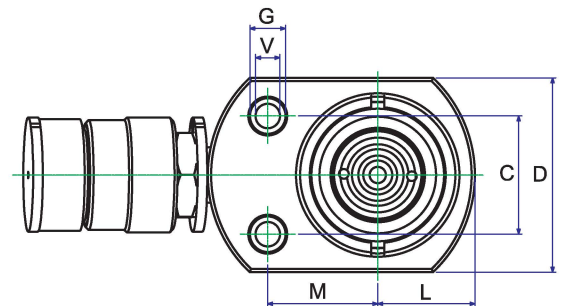
NSLS10-05



NSLS35-14

### FEATURES

- NSLS Telescopic Cylinders have a build-in matting and long stroke.
- They are perfect for those who works with different types of service job in tight spaces and want to combine large forces with long stroke.
- Available in three different sizes: 10+5 Ton, 20+10 Ton and 35+14 Ton.
- Single Acting, Load Return
- Pistons hard chromed.
- Cylinders inside roll-polished.
- Cylinders outside blasted with black nitriding finish.
- Use in combination with hand / foot pumps (Page 19-30), and accessories (page 73-79)



### CAUTION!

To prevent damage to the compact system, always load the load at the middle of the lifting piston.

### NSLS TELESCOPIC CYLINDERS

Model No.	Capacity (ton)		Stroke (mm)		Effective Area(cm <sup>2</sup> )		Oil Cap (cm <sup>3</sup> )	A	B	C mm	D mm	E Ø mm	F Ø mm	H mm	K mm	V Ø mm	G Ø mm	L mm	M mm	Weight (kgs)
	1st	2nd	S1	S2	1st	2nd		Height(mm)												
					RETRACTED	EXTENDED														
NSLS10-05	10	5	12	13	15.2	7.5	29	42	67	36.5	82.5×60	44	38	19	1	7.5	11	30	34	1.6
NSLS20-10	20	10	12	13	28.3	15.2	55	51	76	49.3	100×78	60	50.8	19	1	10	15	39	39	2.6
NSLS35-14	35	14	135	135	50	20	944	283	553	—	—	80	67	20	46	—	—	—	—	16.1