



MODEL: NSLS-SERIES

Capacity: 5 - 150 Ton

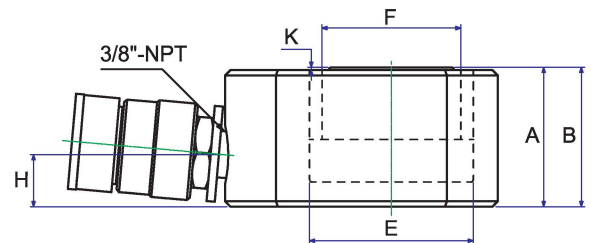
Stroke: 6 - 17 mm

Max. Working Pressure: 700 bar / 10,000 psi

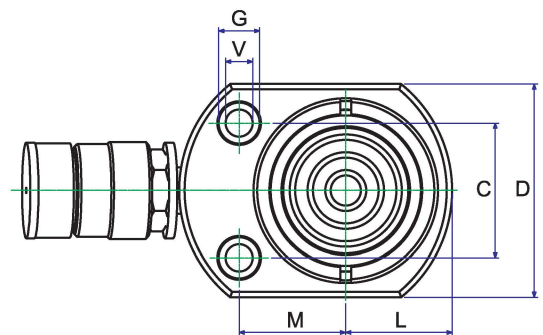
- All cylinders are single acting with spring return.
- Pistons hard chromed.
- Cylinders inside roll-polished.
- Cylinders outside blasted with black nitriding finish.



Hand / Foot Pumps Page 19-30



High Pressure Accessories Page 73-79



NSLS-SERIES, FLAT CYLINDERS

Model	Capacity (ton)	Stroke (mm)	Oil Cap (cm ³)	HEIGHT (mm)		C mm	D mm	E mm	F mm	H mm	K mm	V mm	G mm	O mm	P mm	U mm	L mm	M mm	Weight (kgs)
				RETRACTED	EXTENDED														
NSLS50	5	6	4.5	33	39	28.5	58.5×44	31	25.4	16	1	5.3	9.5	—	—	—	22	22	0.7
NSLS100	10	12	18.0	42	54	36.5	82.5×60	44	38	19	1	7.5	11	—	—	—	30	34	1.6
NSLS200	20	12	34.0	51	63	49.3	100×78	60	50.8	19	1	10	15	—	—	—	39	39	2.6
NSLS300	30	13	54.0	58	71	52.3	117.5×95	73	63.5	19	2	10	16	—	—	—	47.5	47.5	4.5
NSLS500	50	16	113.0	66	82	66.5	145×115	95	70	19	2	11	19	—	—	—	57.5	58	6.8
NSLS750	75	16	180.0	79	95	76.2	170×145	120	82.5	19	2	13.5	20.5	—	—	—	72.5	70	11.3
NSLS1000	100	16	229.0	85	101	76.2	185×160	135	92	19	2	13.5	20.5	—	—	—	80	78	14.5
NSLS1500	150	17	363.0	100	117	117	225×195	165	115	23	2	13.5	20.5	—	—	—	97.5	85	26.3