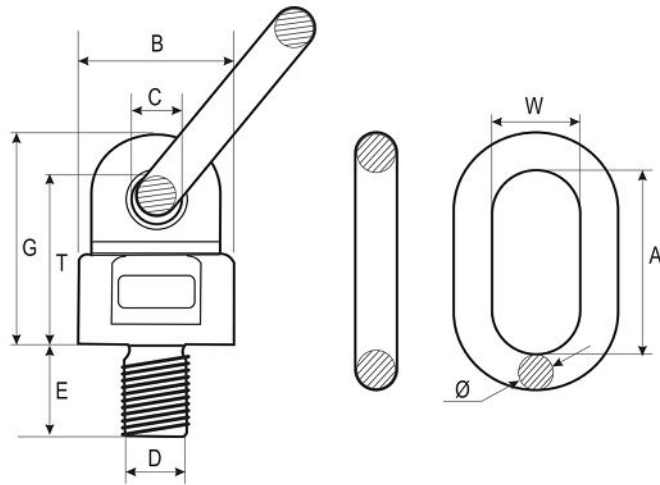


PRO-303 ELEMENT DE PRINDERE ROTATIV



Lifting points must only be used for the assembly at the load or at lifting object. They are intended to be hinged into lifting object and can be turned under load, but not under full load, especially not in the 90° direction. Lifting points can also be used as lashing points to attach lashing objects.

Model/ Features	WLL (t)		Dimensions (mm)								Weight (kg/pc)
	0°	90°	A	B	C	D x E	G	T	W	Ø	
PRO-303-08.13	0.6	0.3	55	36	15	M8 x 13	51	41	30	13	0.41
PRO-303-10.18	0.9	0.45	53	36	17	M10 x 18	53	44	31	14	0.43
PRO-303-12.18	1	0.5	55	36	15	M12 x 18	51	41	30	13	0.44
PRO-303-12.45	1	0.5	52	36	17	M12 x 45	54	45	30	14	0.47
PRO-303-12.110	1	0.5	53	36	17	M12 x 110	53	44	30	14	0.53
PRO-303-14.20	2	1.12	55	36	15	M14 x 20	51	41	30	13	0.45
PRO-303-16.20	2	1.12	52	36	17	M16 x 20	53	44	30	14	0.48
PRO-303-16.120	2	1.12	52	36	17	M16 x 120	53	45	30	14	0.60
PRO-303-20.30	4	2	70	49.5	19	M20 x 30	70	60	35	16.5	0.96
PRO-303-20.120	4	2	71.5	49.5	19	M20 x 120	70	60	33	16	1.17
PRO-303-24.30	6.3	3.15	84	57.5	22.5	M24 x 30	82	68	40	18	1.45
PRO-303-24.90	6.3	3.15	85	57	22	M24 x 90	78	65.5	40	18	1.66
PRO-303-24.120	6.3	3.15	84	57.5	22.5	M24 x 120	82	68	40	18	1.74
PRO-303-27.35	6.3	3.15	84	57	22	M27 x 35	82	68	38	18	1.47
PRO-303-30.35	10.6	5.3	85	66	23.5	M30 x 35	96.5	80.5	40	20	2.17
PRO-303-30.38	10.6	5.3	85	66	23.5	M30 x 38	96.5	80.5	40	20	2.18
PRO-303-30.120	10.6	5.3	85	66	23.5	M30 x 120	96.5	80.5	40	20	2.65
PRO-303-30.35	11.8	8	115	80	28	M30 x 35	112	92	50	22	2.17
PRO-303-30.38	11.8	8	115	80	28	M30 x 38	112	92	50	22	2.18
PRO-303-30.120	11.8	8	115	80	28	M30 x 120	112	92	50	22	2.65
PRO-303-36.50	11.8	8	115	80	27	M36 x 50	109	89.5	50	22	3.55
PRO-303-36.90	11.8	8	115	80	27	M36 x 90	109	89.5	40	22	4.17
PRO-303-36.120	11.8	8	115	80	27	M36 x 120	109	89.5	50	22	4.50
PRO-303-36.400	11.8	8	115	80	27	M36 x 400	109	89.5	50	22	6.41
PRO-303-39.50	11.8	8	115	80	27	M39 x 50	109	89.5	50	22	3.65
PRO-303-39.90	11.8	8	115	80	27	M39 x 90	109	89.5	50	22	3.71
PRO-303-42.50	15	10	116	80	28	M42 x 50	114	92.5	50.5	25	3.62
PRO-303-48.50	15	10	116	80	28	M48 x 50	112.5	92.5	50.5	25	4.02