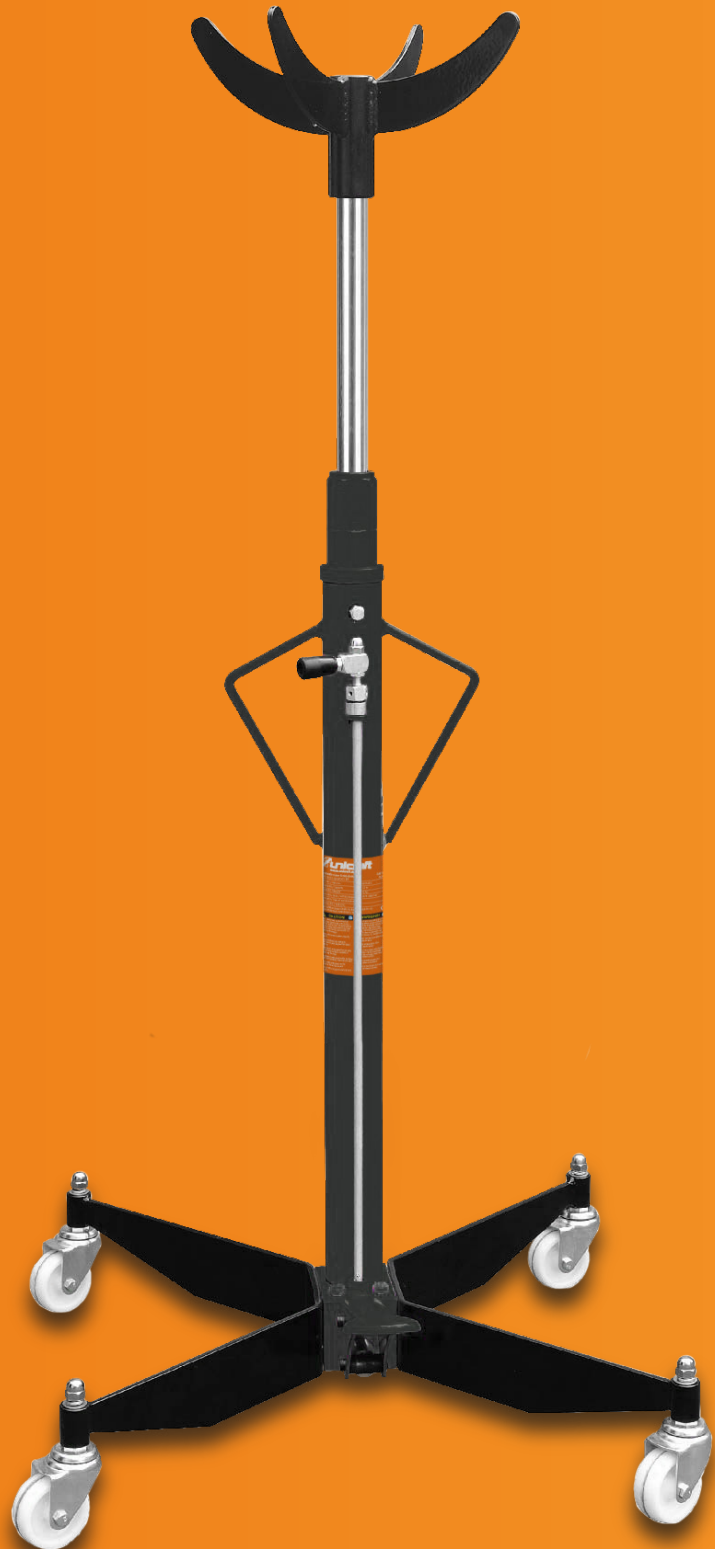


GEARBOX JACKS

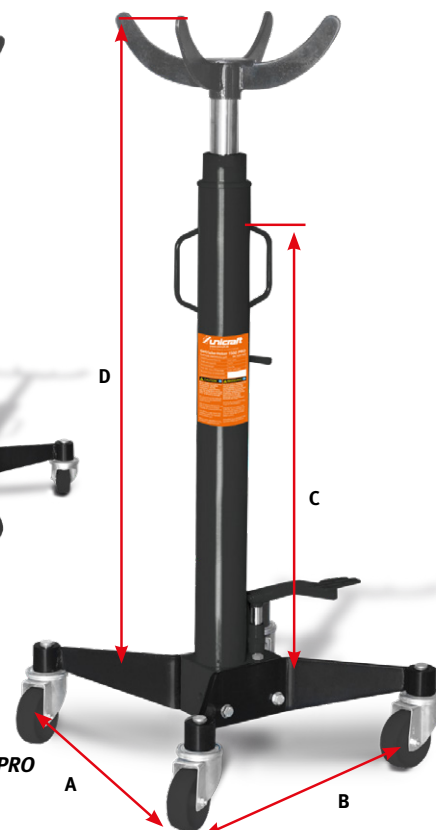


Gearbox jacks

Gearbox jack GH series -

Hydraulic, steplessly height-adjustable

- ▶ Ideal for installing and removing gearboxes, axles and exhaust systems as well as for all other service and maintenance work
- ▶ Lifting is carried out via a hydraulic, steplessly height-adjustable foot pump, which enables simultaneous, free working or holding with the hands
- ▶ The load is lowered using a manual controller
- ▶ With 4 swivel rollers for easy manoeuvring
- ▶ PRO versions for professional use
- ▶ Gearbox jack GH 1500 PRO suitable for use when working on lorries



Model	GH 505	GH 600 PRO	GH 1500 PRO
Art. no.	6201410	6201403	6201404
Technical data			
Load capacity	500 kg	600 kg	1,500 kg
Length (A) approx.	610 mm	500 mm	524 mm
Width (B) approx.	610 mm	510 mm	510 mm
Min. height (C) approx.	1240 mm	1180 mm	1195 mm
Max. height (D) approx.	2050 mm	1950 mm	1985 mm
Weight approx.	32 kg	34 kg	55.5 kg

Gearbox jack GH TOP

- ▶ Ideal for installing and removing gearboxes, axles and exhaust systems as well as for all other service and maintenance work
- ▶ Stepless lifting is achieved via a hydraulic foot pump, which enables simultaneous working or holding with the hands
- ▶ Lowering the load via a foot control
- ▶ Rotatable, height-adjustable manoeuvring handle with integrated screw tray
- ▶ Optimum protection of vehicle parts thanks to patented foam block
- ▶ Four rollers for easy manoeuvring
- ▶ All functions can be operated by foot



• All functions can be operated by foot



• Swivelling height-adjustable handle with compartment for screws



• Patented foam block to protect vehicle parts



Patented



Model	GH 750 TOP	GH 1200 L TOP
Art. no.	6212075	6212125
Technical data		
Load capacity	750 kg	1200 kg
Piston stroke height (B)	820 mm	815 mm
Wide of lifting crown (C)	315 mm	315 mm
Height of lifting crown tines (E)	60 mm	60 mm
Min. height (A) approx.	1110 mm	1258 mm
Max. height (D) approx.	1930 mm	1925 mm
Length/ width (F) approx.	720 mm	720 mm
Weight approx.	28 kg	34 kg

