

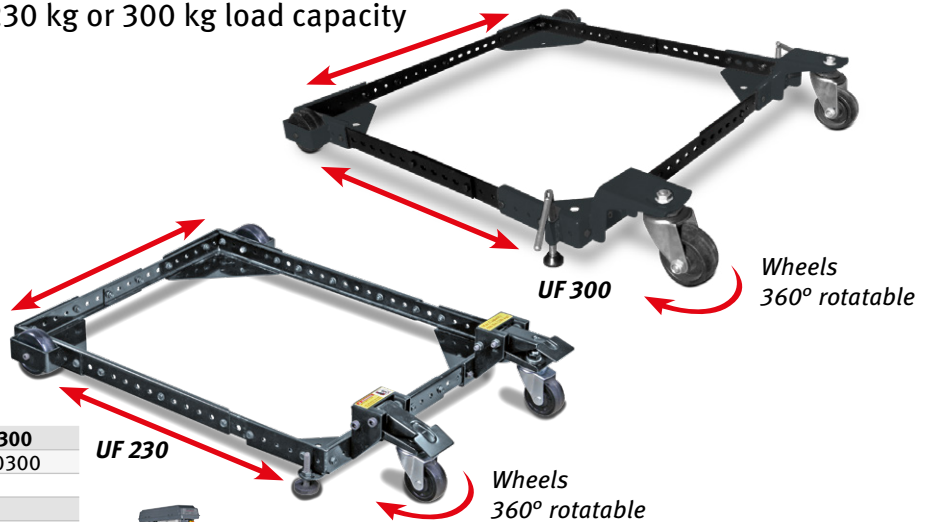
TRANSPORT AIDS



Universal-Chassis/Lift-Trolleys

Universal trolley UF 230/UF 300 - with 230 kg or 300 kg load capacity

- ▶ Chassis with variably adjustable footprint
- ▶ For easy transport and relocation of machines
- ▶ Many different footprint sizes possible via perforated grid
- ▶ Easy to manoeuvre thanks to two 360° swivel rollers
- ▶ With vibration-damping levelling feet (UF 230)
- ▶ Safe and stable construction
- ▶ Quick and easy assembly



Model		UF 230	UF 300
Art. no.		6190230	6190300
Technical data			
Load capacity	kg	230	300
Square footprint min.	mm	280 x 280	345 x 345
Square footprint max.	mm	890 x 890	730 x 730
Rectangular footprint min.	mm	430 x 280	–
Rectangular footprint max.	mm	1290 x 480	–
Hole spacing	mm	25	25.4
Weight approx.	mm	7.7	9



Application examples

- ▶ For conveniently moving band saws, sanders, planers, drills, etc. (machines not included in the scope of delivery)

Corner transport roller set ETR 4/150 - with 150 kg load capacity per piece

- ▶ For quick and easy moving of box-shaped objects and furniture
- ▶ Low loading height for safe transport
- ▶ Welded sheet steel housing
- ▶ Loading area with anti-slip surface

Scope of delivery:

- > Four corner rollers
- > Three solid rubber rollers per corner roller

Model		ETR 4/150
Art. no.		6197150
Technical data		
Load capacity	kg/pc.	150
Dimensions (L x W x H) approx.	mm	255 x 255 x 85
Loading height	mm	15 mm
Weight approx.	kg/pc.	2



600 kg
Load capacity!



Application example

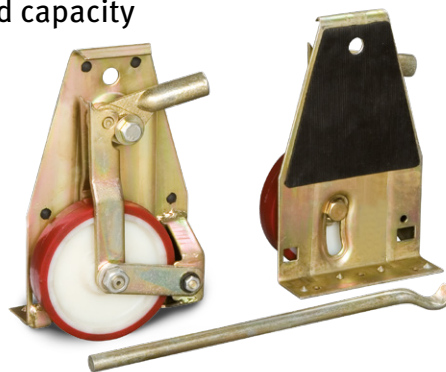
- > Optimal for conveniently moving box-shaped objects (cabinet not included)

Lifting roller set HR 1000 – with 1 tonne load capacity

- ▶ For transporting heavy objects such as cupboards etc.
- ▶ Galvanised sheet steel frame
- ▶ Contact surface with rubber coating
- ▶ Wheel with polyurethane tyres

Scope of delivery:

- > Two lifting scooters
- > A lever bar



Application example

- > Ideally suited for easy moving of loads (cabinet not included in scope of delivery)

Model		HR 1000
Art. no.		6191000
Technical data		
Load capacity (per set)	t	1
Polyurethane wheeling	mm	138 x 28
Claw height bottom	mm	12
Claw height top	mm	50
Weight approx. (per set)	kg	10

Simple handling:

- ▶ Lift load with lever bar
- ▶ Slide the claw of the lifting roller underneath
- ▶ Lift the load by moving the eccentric lever with the lever rod
- ▶ Proceed in the same way with the second lifting roller on the opposite side

Lifting rods HS series - with 1.5 t and 5 t load capacity

- ▶ Solid steel frame for maximum stability
- ▶ Smooth-running steel rollers

Model		HS 1.5	HS 5
Art. no.		6196015	6196050
Technical data			
Load capacity	t	1.5	5
Lever length	mm	2000	2000
Number of rollers		2	2
Roller size	mm	70 x 54	70 x 54
Weight approx.	kg	16	32



Transport rollers, series TR - with 3 t and 6 t load capacity t

- ▶ For easy and safe transport of heavy objects
- ▶ Large nylon rollers with ball bearings and anti-slip rubber surface

Model		TR 3	TR 6
Art. no.		6193030	6193060
Technical data			
Load capacity	t	3	6
Dimensions (L x W x H) approx.	mm	400 x 228 x 100	415 x 210 x 100
Number of rollers		4 each	6 each
Roller size	mm	85 x 90	85 x 85
Weight approx.	kg	9.5	12



Adjustable transport rollers VTR series

- ▶ Set of 2
- ▶ Large, ball-bearing nylon rollers
- ▶ Adjustable from 500 mm to 1400 mm (VTR 6) or from 720 mm to 1500 mm (VTR 12) using 2 steel rods
- ▶ Non-slip rubber surface

Scope of delivery:

- ▶ Two transport rollers with two steel rods

Transport rollers can be connected up to a length of 1.40 m (VTR 6) or 1.50 m (VTR 12) can be connected

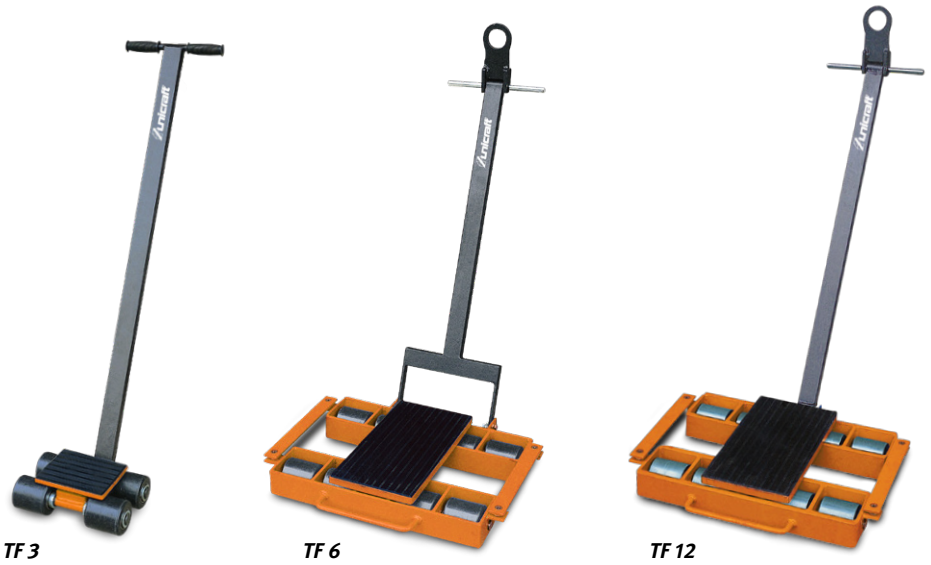
Model		VTR 6	VTR 12
Art. no.		6192060	6192120
Technical data			
Load capacity	t	6	12
Dimensions (L x W x H) approx.	mm	415 x 210 x 100	420 x 268 x 110
Number of rollers	mm	4 each	6 each
Roller size	mm	85 x 90	85 x 90
Weight approx. (per roller block)	kg	30	38



Transport trolleys/transport roller set

Transport trolleys TF series

- ▶ For easy and safe transport of heavy objects and machines
- ▶ With pivoting support plate (single for TF 3, double for TF 6 and TF 12) and drawbar for easy manoeuvring around bends
- ▶ Support plates with anti-slip rubber surface



Model		TF 3	TF 6	TF 12
Art. no.		6191030	6191060	6191120
Technical data				
Load capacity	t	3	6	12
Dimensions without drawbar (L x W x H) approx.	mm	295 x 230 x 104	640 x 534 x 115	640 x 566 x 115
Contact surface	mm	185 x 150	220 x 400	220 x 400
Number of rollers	pc.	4	8	8
Roll size (Ø x W)	mm	85 x 90	85 x 90	83 x 95
Weight approx.	kg	15	50	66

Transport roller set TR 20 - with 20 t load capacity

- ▶ Flexible use for moving heavy loads
- ▶ Easy to steer with a turning circle of 3 metres
- ▶ Suitable for short transport distances
- ▶ Set consists of steering and running gear for easy self-assembly

Scope of delivery:

- > 4 transport rollers
- > 2 turntables with rubber support Ø 130 mm
- > 2 support plates with rubber support 120 x 120 mm
- > 2 connecting rods
- > 2 handlebars
- > Metal box with rollers and handles
- > Drawbar for the metal box



Model		TR 20
Art. no.		6195020
Technical data		
Load capacity	t	20
Transport/installation height	mm	108
Roller diameter	mm	18
Weight approx.	kg	50

